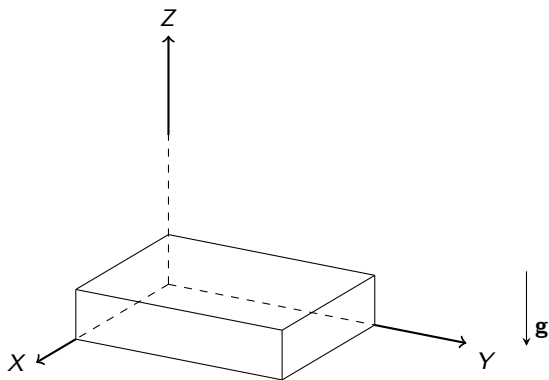
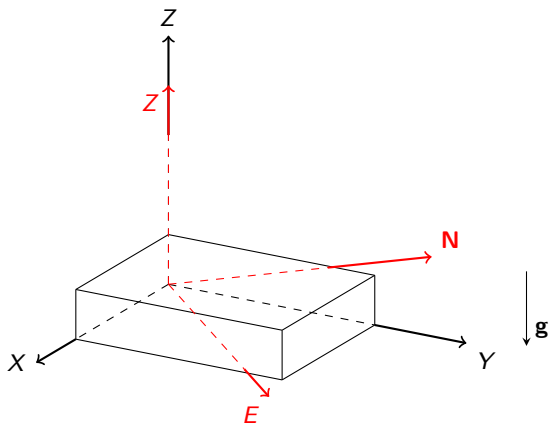


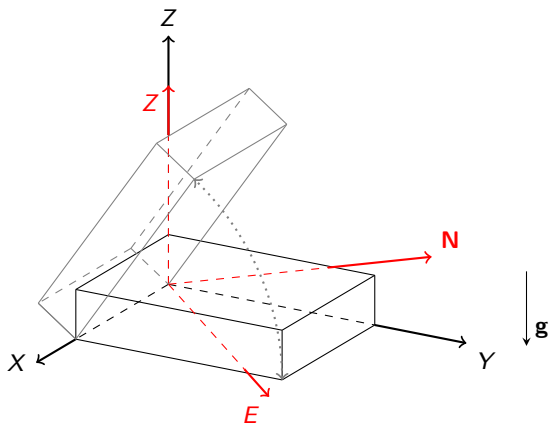
Rotate box around X axis.



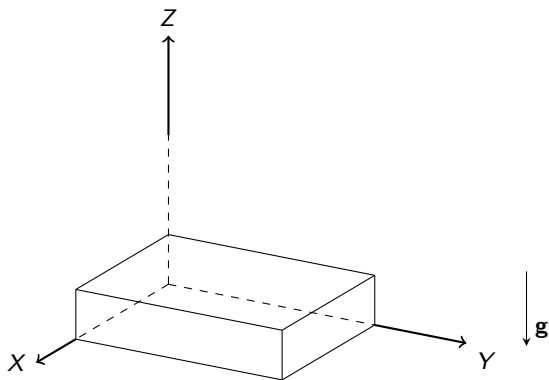
Rotate box around X axis.



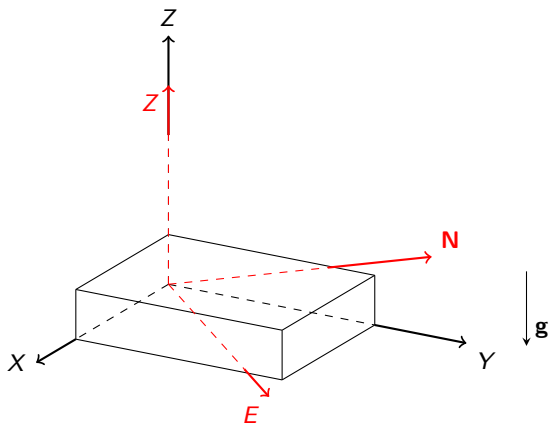
Rotate box around X axis.



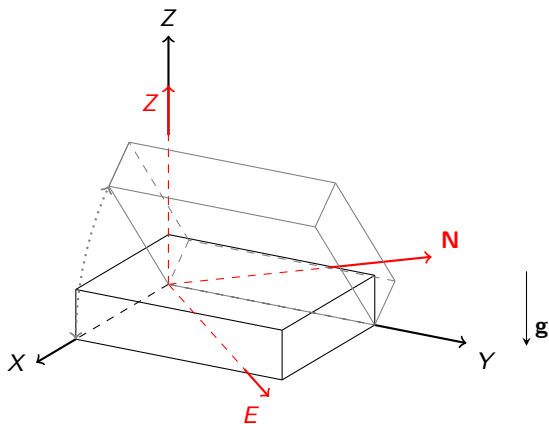
Rotate box around Y axis.



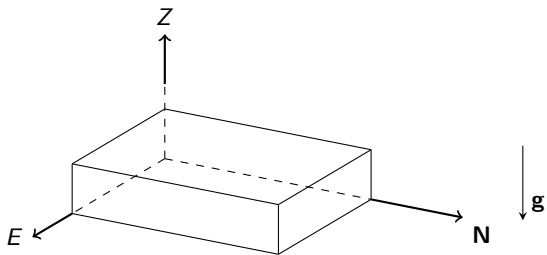
Rotate box around Y axis.



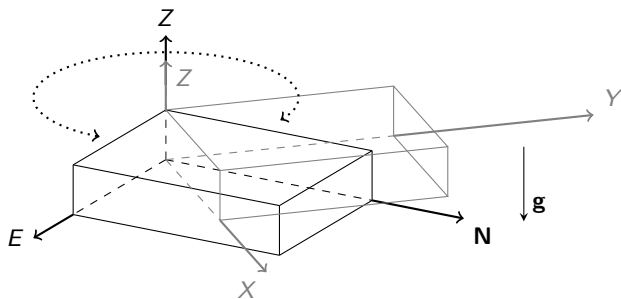
Rotate box around Y axis.



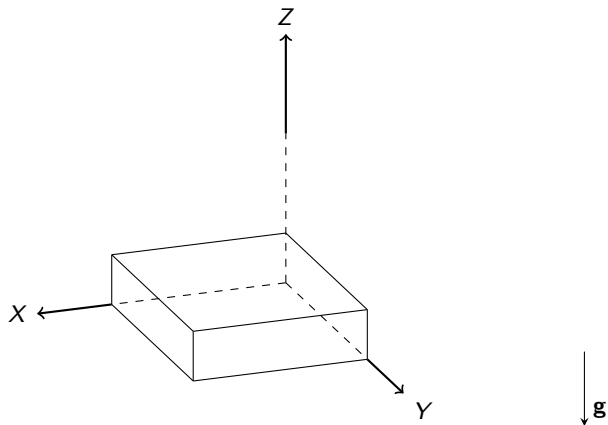
Rotate a box around Z axis



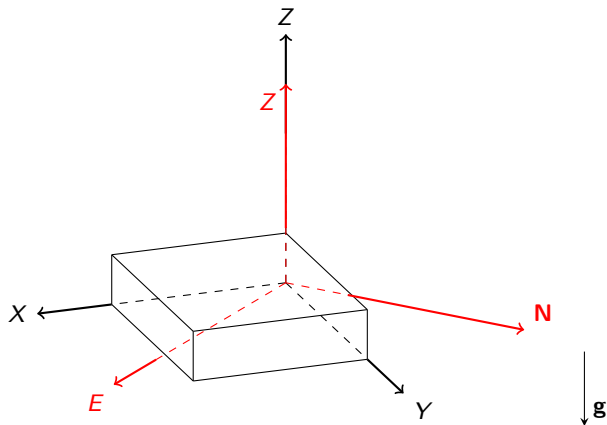
Rotate a box around Z axis



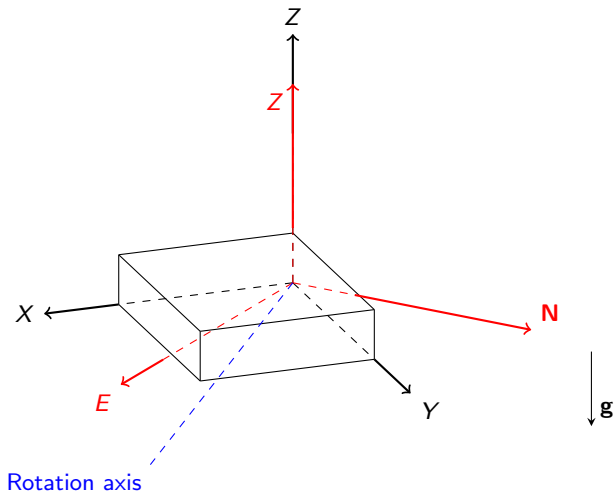
Rotate a box around any axis



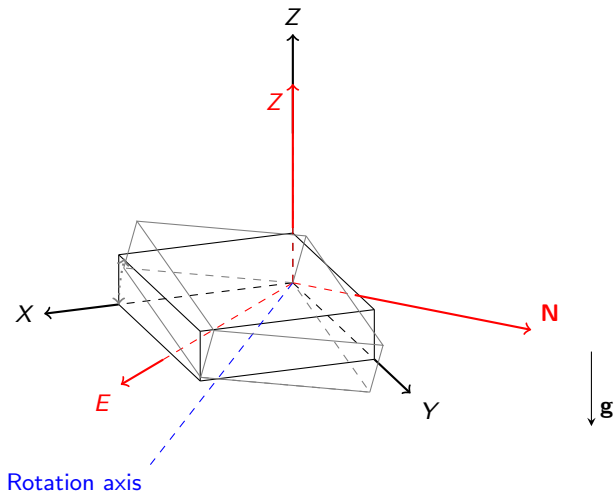
Rotate a box around any axis



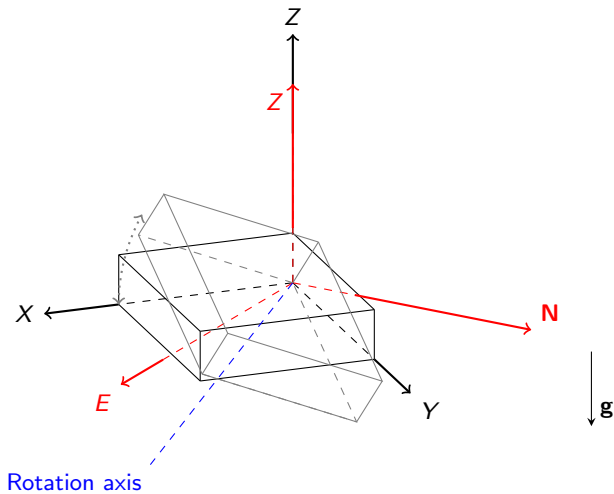
Rotate a box around any axis



Rotate a box around any axis



Rotate a box around any axis



Rotate a box around any axis

